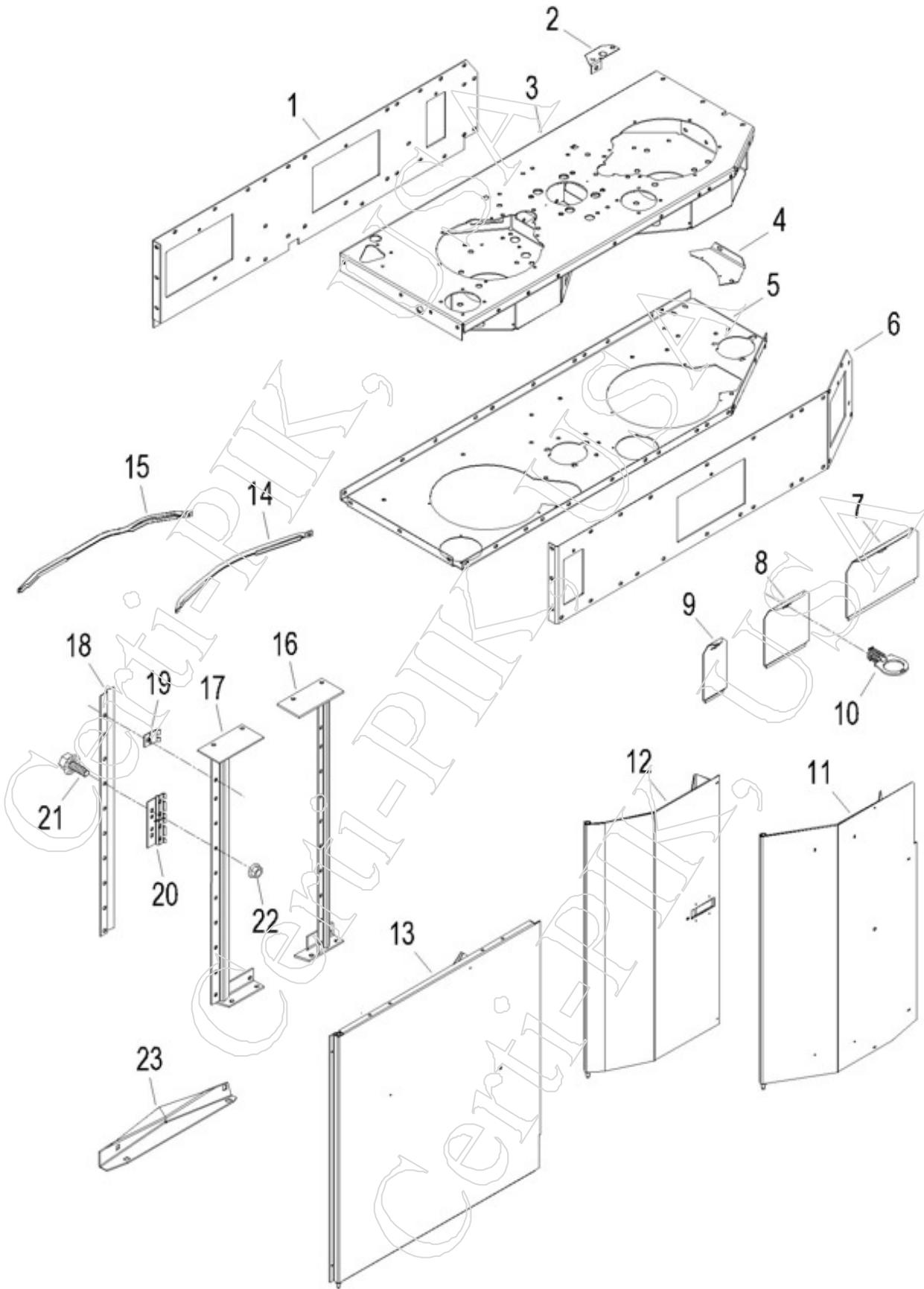


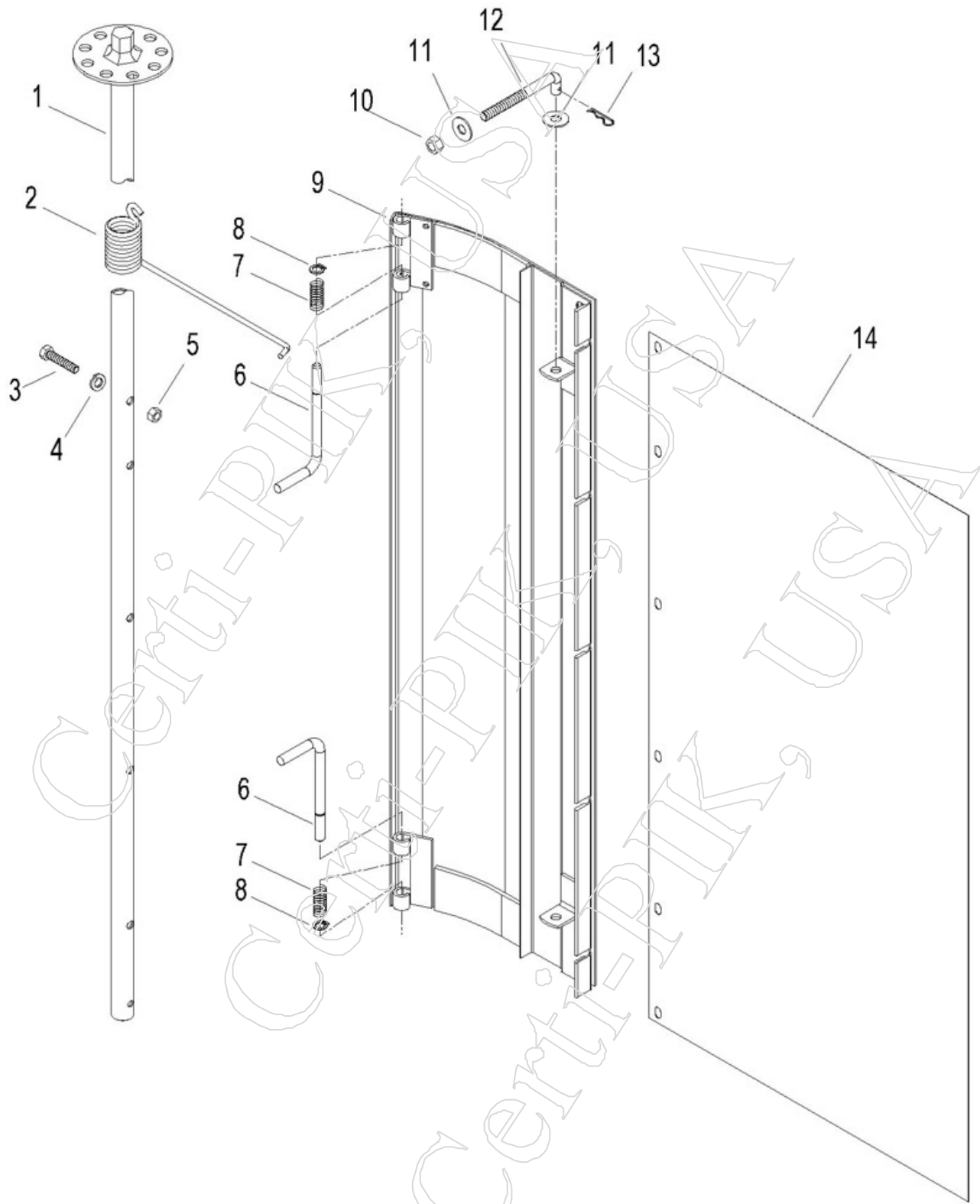
<u>Item</u>	<u>Part</u>	<u>OEMPart</u>	<u>Qty</u>	<u>Desc</u>
1	15027	AN115027	1	COVER - SIDE INSPECTION
2	19813	N119813	1	COVER - INSPECTION (9 X 9.4) WITHOUT CLIP
3	12645	AN112645	1	COVER - SIDE INSPECTION (9900-30, 40-65 CONV.)
4	90253	AN190253	NA	COVER - FRONT INSPECTION (9920,9930,40-60 CONV.)
5	14682	AN114682	1	COVER - INSPECTION
6	12644	AN112644	1	COVER - SIDE INSPECTION (9900-30, 40-65 CONV.)
7	16513P	N116513	19	GRID BAR - FRONT (9900-9965)
8	90662P	N190662	19	GRID BAR - REAR 9920-9950, CONV. UNITS
9	16514P	N116514	19	GRID BAR - REAR (9900-9910) 12- BAR
10.1	19274	N119274	1	POST - R.H. FRONT GRID BAR (9920-9965 CONV.)
10.2	19275	N119275	1	POST - L.H. FRONT GRID BAR (9920-9965 CONV.)
11	19277	N119277	1	CLAMP - FRONT SINGLE, GRID BAR (9920-9965)
12	93404	N193404	AR	CLAMP - FRONT, GRID BAR (9930-9935, 9950-9965)
13	19276	N119276	AR	CLAMP - FRONT DOUBLE, GRID BAR (9900-9910)
14	14822P	N14822	AR	BOLT - 3/8 X 3/4" - SERR HEX FLANGE
15	10215P	N10215	AR	NUT - 3/8 - SERR HEX FLANGE
16.1	15002	N115002	1	POST - R.H. 9900-9910 FRONT GRID BAR POST
16.2	15003	N115003	1	POST - L.H. 9900-9910 FRONT GRID BAR POST
17	10107	N110107	1	CLAMP - FRONT SINGLE, GRID BAR (9900-9910)
18	10123	N110123	1	POST - 9900-9965 CONV. REAR GRID BAR
19	10124	N110124	9	CLAMP - REAR DOUBLE (9900-9965 CONV.)
20	10125	N110125	1	CLAMP - REAR SINGLE (9900-9965 CONV.)
21	10212P	N10212	AR	BOLT - 5/16 X 3/4" - SERR HEX FLANGE
22	10213P	N10213	AR	NUT - 5/16 - SERR HEX FLANGE
23.1	91294R	N191294	1	FRAME - R.H., CONV. UNITS, INSIDE REAR (9900-9950) (ILL.)
23.2	91295L	N191295	1	FRAME - L.H., CONV. UNITS, INSIDE REAR (9900-9950)
24.1	91664	N191664	1	FRAME - R.H. CONV. BOTTOM STIFFENER, 12-BAR (9920-9950) (ILL.)
24.2	91665	N191665	1	FRAME - L.H. CONV. BOTTOM STIFFENER, 12-BAR (9920-9950)
25.1	17286R	N117286	1	PLATE - R.H., 16 BAR WEAR PLATE (9900-9910) (ILL.)
25.2	17287L	N117287	1	PLATE - L.H., 16 BAR WEAR PLATE (9900-9910)
26	90645	N190645	1	SHIELD - LUBE LINE (9920-9930, 9940-9950)
27	91600	N191600	1	SHIELD - 12-BAR LUBE LINE (9910-9930, 9940-9950)
28.1	16642R	N116642	1	POST - R.H., REAR (HI-DRUM) POST (9900-9930) (ILL.)
28.2	16643L	N116643	1	POST - L.H., REAR (HI-DRUM) POST (9900-9930)

John Deere 9935, 9960 - 9965 In-Line Cabinet Parts



<u>Item</u>	<u>Part</u>	<u>OEMPart</u>	<u>Qty</u>	<u>Desc</u>
1	72076	N272076	1	PANEL - TOP PANEL (L.H.) (9935, 9960-9965 IN-LINE)
2	99910	N199910	1	ANGLE - PRESSURE DOOR ANGLE (9935, 9960-9965 IN-LINE)
3	72025	AN272025	1	CABINET TOP (9935, 9960-9965 IN-LINE)
4	73022	N273022	1	FRONT COVER - CABINET (9935, 9960, 9965 IN-LINE)
5	72600	AN272600	1	SHEET - IN-LINE CABINET TOP (9965)
6	96217	N196217	1	PANEL - CABINET TOP (R.H.) (9935, 9960-9965 IN-LINE)
7	97073	N197073	1	CABINET TOP INSPECTION COVER (9935, 9960-9965 IN-LINE)
8	97072	N197072	1	CABINET TOP INSPECTION COVER (9935, 9960-9965 IN-LINE)
9	97071	N197071	1	CABINET TOP INSPECTION COVER (9935, 9960-9965 IN-LINE)
10	72520P	AN272520	1	LOCK - DUAL LOCK FASTENER (ALL IN-LINE & PRO)
11	94682	AN194682	1	INSPECTION DOOR - FRONT (IN-LINE 9935, 9960, 9965)
12	94684	AN194684	1	INSPECTION DOOR - INNER - REAR (IN-LINE 9935, 9960, 9965)
13	72683	AN272683	1	INSPECTION PANEL - REAR (IN-LINE 9935, 9960, 9965)
14	16513P	N116513	17	GRID BAR - FRONT (9900-9965)
15	97039P	N197039	17	GRID BAR - REAR, IN-LINE
16	93818	AN193818	1	POST - IN-LINE FRONT GRID BAR (9960-9965)
17	93134	AN193134	1	POST - IN-LINE REAR GRID BAR (9935-9965)
18	96166	N196166	1	COVER - GRID BAR POST (9960-9965)
19	19277	N119277	1	CLAMP - FRONT SINGLE, GRID BAR (9920-9965)
20	93404	N193404	4	CLAMP - FRONT, GRID BAR (9930-9935, 9950-9965)
21	10214P	N10214	AR	SCREW - 3/8 X 1" SERR HEX FLANGE
22	10215P	N10215	AR	NUT - 3/8 - SERR HEX FLANGE
23	97044	N190744	1	FRAME - BOTTOM STIFFENER (9960-9965)

John Deere 9900-9920, 9940 Rear Pressure Plate (Hi-Drum) Assembly

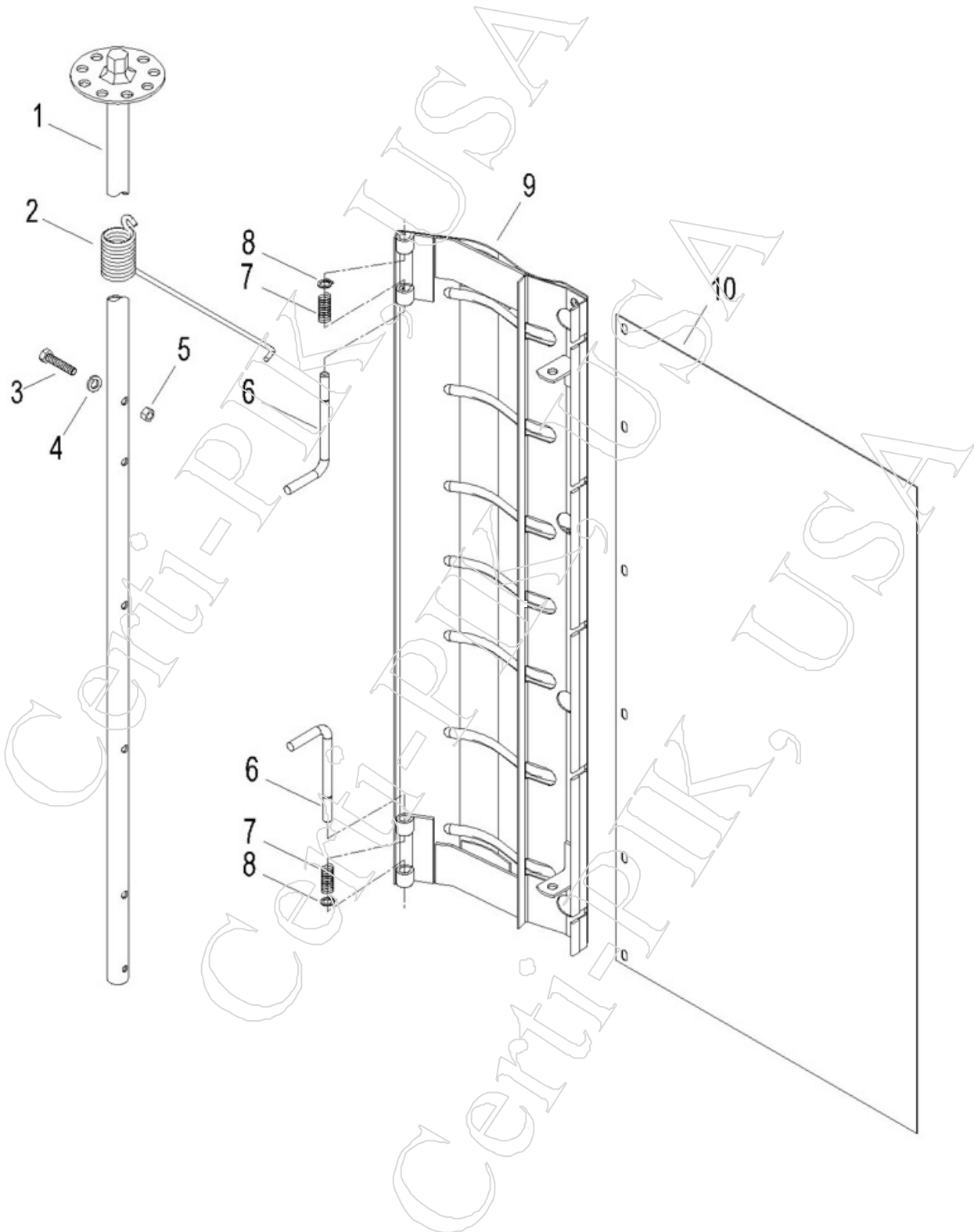


John Deere 9900-9920, 9940 Rear Pressure Plate (Hi-Drum) Assembly

20-4

Item	Part	OEMPart	Qty	Desc
1	92467	AN192467	NA	SPRING TUBE - 20S, 9900-9965 CONV.
2.1	90466	N190466	4	SPRING - R.H. TORSION, 9900-9960 CONV. - REAR PRESSURE PLATE
2.2	90467	N190467	1	SPRING - L.H. TORSION, 9900-9960 CONV. - REAR PRESSURE PLATE
3	01906P	19H1906	5	BOLT - 5/16 X 1-1/2" HEX HEAD - GRADE 5
4	00303P	12H303	5	WASHER - 5/16" LOCK
5	00785P	14H785	5	NUT - 5/16 G5 - HEX
6.1	34274	N34274	2	HINGE PIN
6.2	34274K	<-----OEM	2	PIN KIT - INCLUDES: 1x #34274-PIN, 1x #19488P-SPRING, 1x #33504P-SNAP RING
7	19488P	KK19488	2	SPRING - (9900-CP690) REPLACES N33404
8	33504P	N33504	2	SNAP RING (9900-CP690)
9	14977	AN114977	1	PRESSURE PLATE
10	11234P	T11234	2	NUT - 3/8 - NYLON LOCK
11	01305P	24H1305	2	WASHER - .406 X .810 X .060"
12	18770	N118770	2	BOLT - ADJUSTMENT
13	16931P	J16931	2	PIN - SPRING LOCK PIN
14	19217	N119217	1	EXTENSION - PLASTIC (9900-9930, 9940-9965 CONV.)

John Deere 9930, 9950-9965 CONV. Rear Pressure Plate (Hi-Drum) Assembly

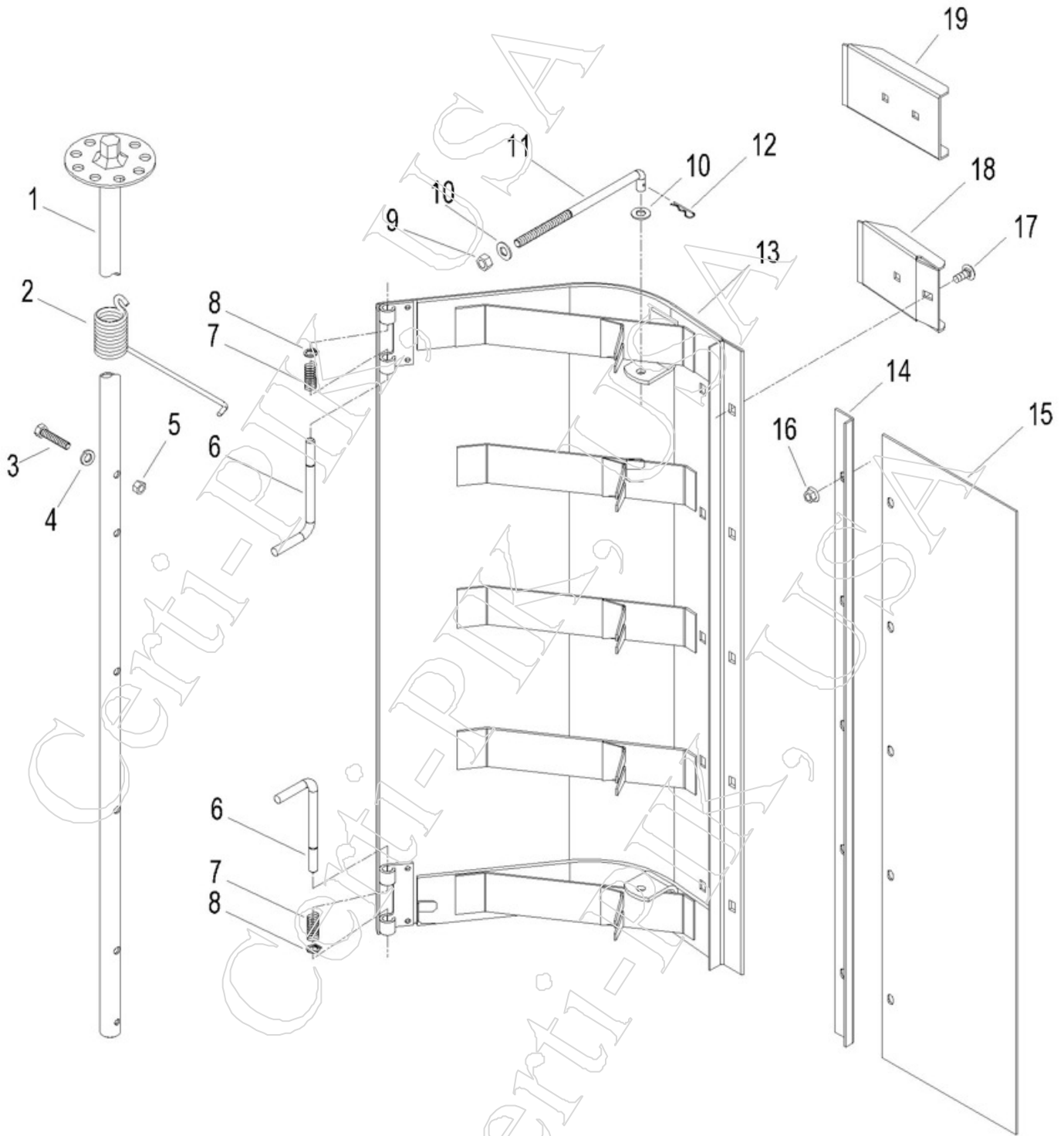


John Deere 9930, 9950-9965 Conv. Rear Pressure Plate (Hi-Drum) Assembly

20-5

Item	Part	OEMPart	Qty	Desc
1	92467	AN192467	NA	SPRING TUBE - 20S, 9900-9965 CONV.
2.1	90466	N190466	4	SPRING - R.H. TORSION, 9900-9960 CONV. - REAR PRESSURE PLATE
2.2	90467	N190467	1	SPRING - L.H. TORSION, 9900-9960 CONV. - REAR PRESSURE PLATE
3	01906P	19H1906	5	BOLT - 5/16 X 1-1/2" HEX HEAD - GRADE 5
4	00303P	12H303	5	WASHER - 5/16" LOCK
5	00785P	14H785	5	NUT - 5/16 G5 - HEX
6.1	34274	N34274	2	HINGE PIN
6.2	34274K	<-----OEM	2	PIN KIT - INCLUDES: 1x #34274-PIN, 1x #19488P-SPRING, 1x #33504P-SNAP RING
7	19488P	KK19488	2	SPRING - (9900-CP690) REPLACES N33404
8	33504P	N33504	2	SNAP RING (9900-CP690)
9	92157	AN192157	1	PRESSURE PLATE - (9930, 9950-9965 CONV.)
10	19217	N119217	1	EXTENSION - PLASTIC (9900-9930, 9940-9965 CONV.)

John Deere 9900-9965 CONV. Front Pressure Plate (Hi-Drum) Assembly

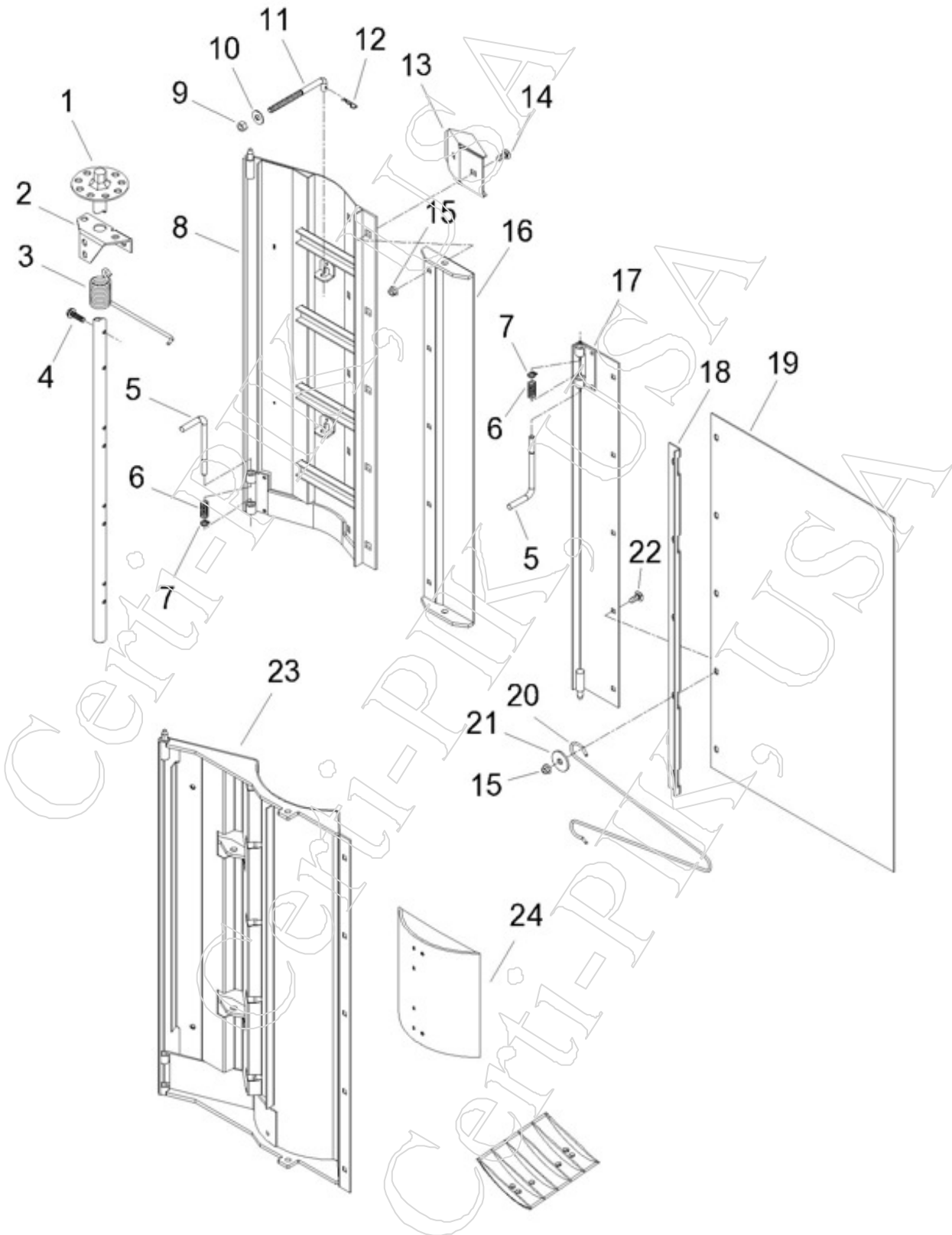


John Deere 9900-9930, 9940-950 Conv. Front (Hi-Drum) Pressure Assembly

20-6

<u>Item</u>	<u>Part</u>	<u>OEMPart</u>	<u>Qty</u>	<u>Desc</u>
1	92467	AN192467	NA	SPRING TUBE - 20S, 9900-9965 CONV.
2.1	90464	N190464	1	SPRING - R.H. TORSION, 9900-CP690- FRONT PRESSURE PLATE
2.2	90465	N190465	1	SPRING - L.H. TORSION, 9900-9965 - FRONT PRESSURE PLATE
3	01906P	19H1906	5	BOLT - 5/16 X 1-1/2" HEX HEAD - GRADE 5
4	00303P	12H303	5	WASHER - 5/16" LOCK
5	00785P	14H785	5	NUT - 5/16 G5 - HEX
6.1	34274	N34274	2	HINGE PIN
6.2	34274K	<-----OEM	2	PIN KIT - INCLUDES: 1x #34274-PIN, 1x #19488P-SPRING, 1x #33504P-SNAP RING
7	19488P	KK19488	2	SPRING - (9900-CP690) REPLACES N33404
8	33504P	N33504	2	SNAP RING (9900-CP690)
9	11234P	T11234	2	NUT - 3/8 - NYLON LOCK
10	01305P	24H1305	2	WASHER - .406 X .810 X .060"
11	10010	N110010	2	BOLT - ADJUSTMENT
12	16931P	J16931	2	PIN - SPRING LOCK PIN
13	90370	AN190370	1	PRESSURE PLATE - FRONT (9920-9965 CONV.)
14	18220	N118220	1	ANGLE - EXTENSION CLAMP (9900-9930, 9940-9965 CONV.)
15	18221	N118221	1	EXTENSION - PLASTIC (9900-9930, 9940-9950)
16	10213P	N10213	10	NUT - 5/16 - SERR HEX FLANGE
17	01540P	03H1540	10	BOLT - 5/16 X 3/4" CARRIAGE
18	90424	N190424	5	PLATE - SCRAPPING (9920-9965 CONV.)
19	19535	N119535	5	PLATE - SCRAPPING (9900, 9910)

John Deere 9935, 9960-9965 In-Line Front Pressure Plate Assembly

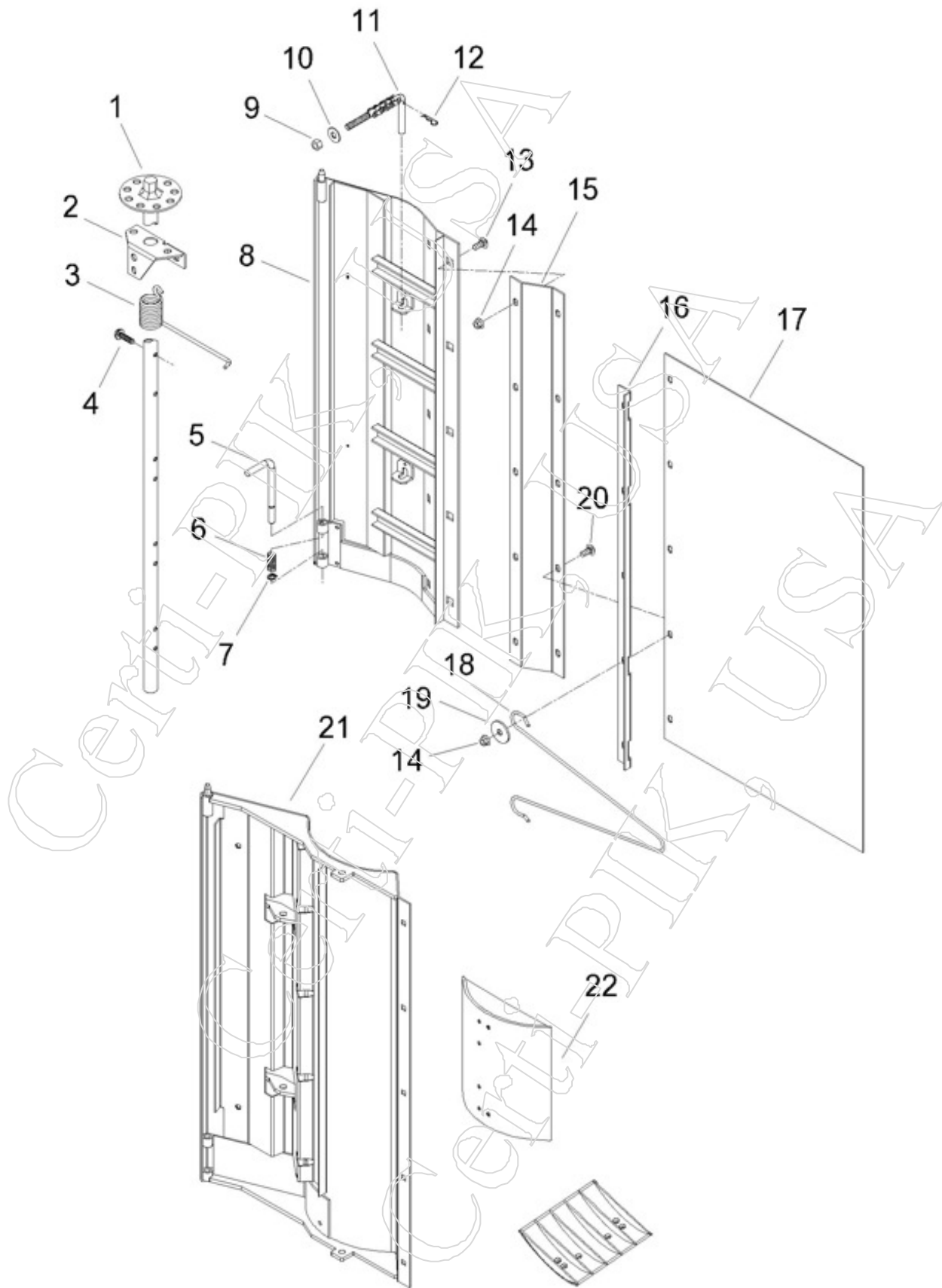


John Deere 9935, 9960-9965 In-line Front Pressure Plate Assembly

20-7

<u>Item</u>	<u>Part</u>	<u>OEMPart</u>	<u>Qty</u>	<u>Desc</u>
1	93129	AN193129	NA	SPRING TUBE - 18S, 9935, 9960-9965 IN-LINE
2	99910	N199910	1	ANGLE - PRESSURE DOOR ANGLE (9935, 9960-9965 IN-LINE)
3.1	90464	N190464	4	SPRING - R.H. TORSION, 9900-CP690- FRONT PRESSURE PLATE
3.2	90465	N190465	1	SPRING - L.H. TORSION, 9900-9965 - FRONT PRESSURE PLATE
4	79578P	H79578	NA	SCREW - 5/16 X 1-1/4" TF HEX FLANGE
5.1	34274	N34274	1	HINGE PIN
5.2	34274K	<-----OEM	1	PIN KIT - INCLUDES: 1x #34274-PIN, 1x #19488P-SPRING, 1x #33504P-SNAP RING
6	19488P	KK19488	1	SPRING - (9900-CP690) REPLACES N33404
7	33504P	N33504	1	SNAP RING (9900-CP690)
8	93029	AN193029	1	PRESSURE PLATE
9	11234P	T11234	2	NUT - 3/8 - NYLON LOCK
10	01730P	24H1309	2	WASHER - .410 X 1.5 X .120"
11	10008	N110008	2	BOLT - 3/8 ADJUSTMENT
12	16931P	J16931	2	PIN - SPRING LOCK PIN
13	96767	N196767	5	PLATE - SCRAPPING
14	01540P	03H1540	AR	BOLT - 5/16 X 3/4" CARRIAGE
15	10213P	N10213	AR	NUT - 5/16 - SERR HEX FLANGE
16	72810	AN272810	1	SUPPORT
17	93844	AN193844	1	EXTENSION - FRONT (9935,9960-9965)
18	98851	N198851	1	ANGLE - EXTENSION CLAMP, FRONT & REAR (9935,9960-9965)
19	96126	N196126	1	EXTENSION - PLASTIC, FRONT & REAR, (9935,9960-9965)
20	98712	N198712	2	REINFORCEMENT - PRESSURE PLATE (9935-CP690 - IN-LINE & PRO) 2x / 18S PLATE, 3x / 20S PLATE
21	01730P	24H1296	4	WASHER - .410 X 1.5 X .120"
22	01709P	03H1709	5	BOLT - 5/16 X 1" CARRIAGE
23	CTX93029	<-----OEM	1	Single Pik - CTX ExtenDoor - JD - PRESSURE PLATE - FRONT & REAR - (9960-9965 IN-LINE) REPLACES OEM# AN193029 - (THIS DOOR USES 3x #669970 SCRAPPING PLATES)
24	669970	<-----OEM	3	CTX SCRAPPING PLATE - SOLD WITH ATTACHING HARDWARE- 2 BOLTS, & NUTS, NOT USED W/ REAR CASE

John Deere 9935, 9960-9965 In-Line Rear Pressure Plate Assembly

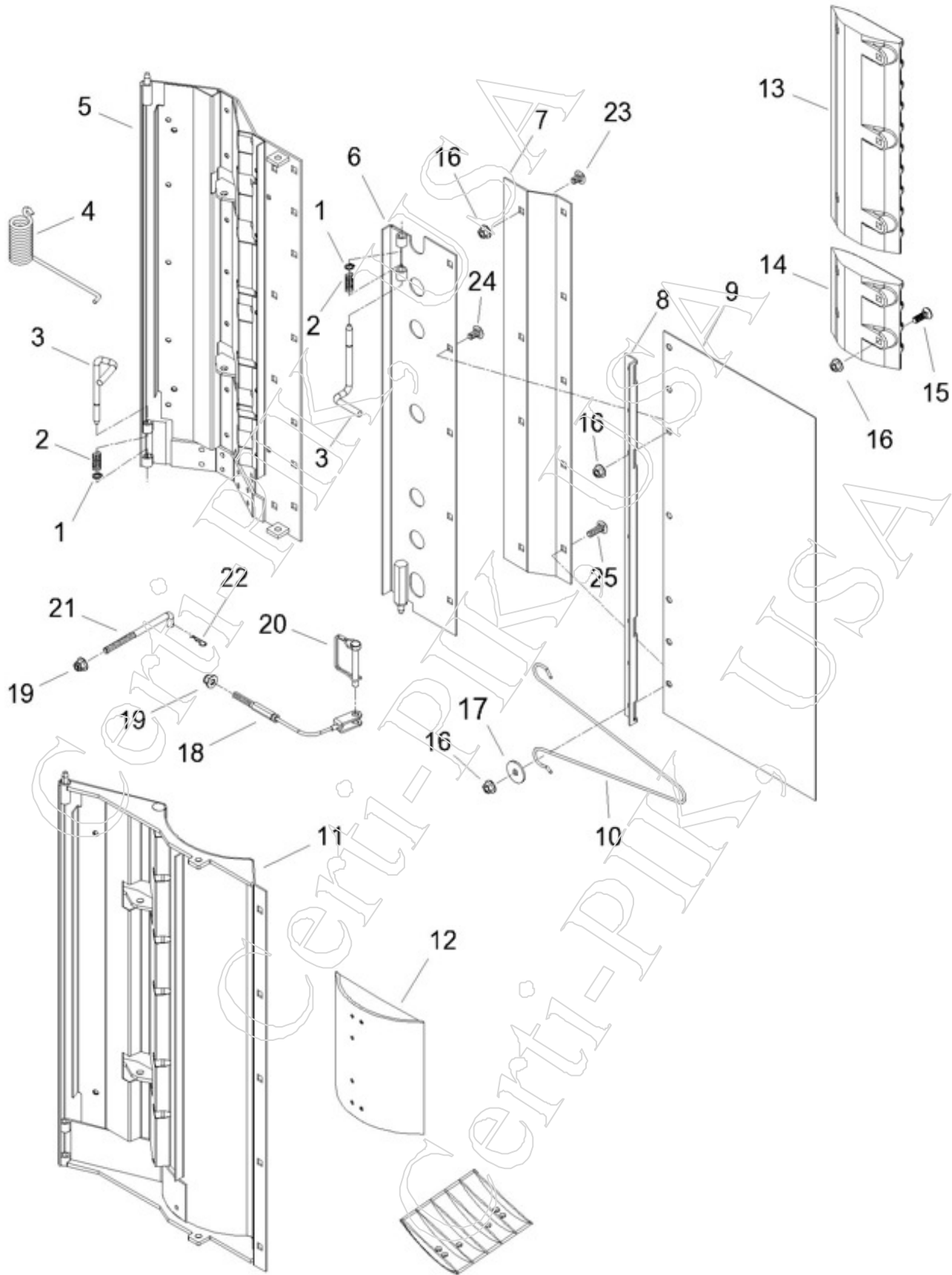


John Deere 9935, 9960-9965 In-line Rear Pressure Plate Assembly

20-8

<u>Item</u>	<u>Part</u>	<u>OEMPart</u>	<u>Qty</u>	<u>Desc</u>
1	93129	AN193129	NA	SPRING TUBE - 18S, 9935, 9960-9965 IN-LINE
2	99910	N199910	1	ANGLE - PRESSURE DOOR ANGLE (9935, 9960-9965 IN-LINE)
3.1	90464	N190464	4	SPRING - R.H. TORSION, 9900-CP690- FRONT PRESSURE PLATE
3.2	90465	N190465	1	SPRING - L.H. TORSION, 9900-9965 - FRONT PRESSURE PLATE
4	79578P	H79578	NA	SCREW - 5/16 X 1-1/4" TF HEX FLANGE
5.1	34274	N34274	1	HINGE PIN
5.2	34274K	<-----OEM	1	PIN KIT - INCLUDES: 1x #34274-PIN, 1x #19488P-SPRING, 1x #33504P-SNAP RING
6	19488P	KK19488	1	SPRING - (9900-CP690) REPLACES N33404
7	33504P	N33504	1	SNAP RING (9900-CP690)
8	93029	AN193029	1	PRESSURE PLATE
9	11234P	T11234	2	NUT - 3/8 - NYLON LOCK
10	01730P	24H1309	2	WASHER - .410 X 1.5 X .120"
11	94089	AN194089	2	BOLT - LINK CHAIN ADJUSTMENT
12	16931P	J16931	2	PIN - SPRING LOCK PIN
13	01540P	03H1540	5	BOLT - 5/16 X 3/4" CARRIAGE
14	10213P	N10213	AR	NUT - 5/16 - SERR HEX FLANGE
15	96120	N196120	1	EXTENSION
16	98851	N198851	1	ANGLE - EXTENSION CLAMP, FRONT & REAR (9935,9960-9965)
17	96126	N196126	1	EXTENSION - PLASTIC, FRONT & REAR, (9935,9960-9965)
18	98712	N198712	2	REINFORCEMENT - PRESSURE PLATE (9935-CP690 - IN-LINE & PRO) 2x / 18S PLATE, 3x / 20S PLATE
19	01730P	24H1296	4	WASHER - .410 X 1.5 X .120"
20	01709P	03H1709	5	BOLT - 5/16 X 1" CARRIAGE
21	CTX93029	<-----OEM	1	Single Pik - CTX ExtenDoor - JD - PRESSURE PLATE - FRONT & REAR - (9960-9965 IN-LINE) REPLACES OEM# AN193029 - (THIS DOOR USES 3x #669970 SCRAPPING PLATES)
22	669970	<-----OEM	3	CTX SCRAPPING PLATE - SOLD WITH ATTACHING HARDWARE- 2 BOLTS, & NUTS, NOT USED W/ REAR CASE

John Deere 9935, 9970-CP690 PRO-12 18S Pressure Plate Assembly

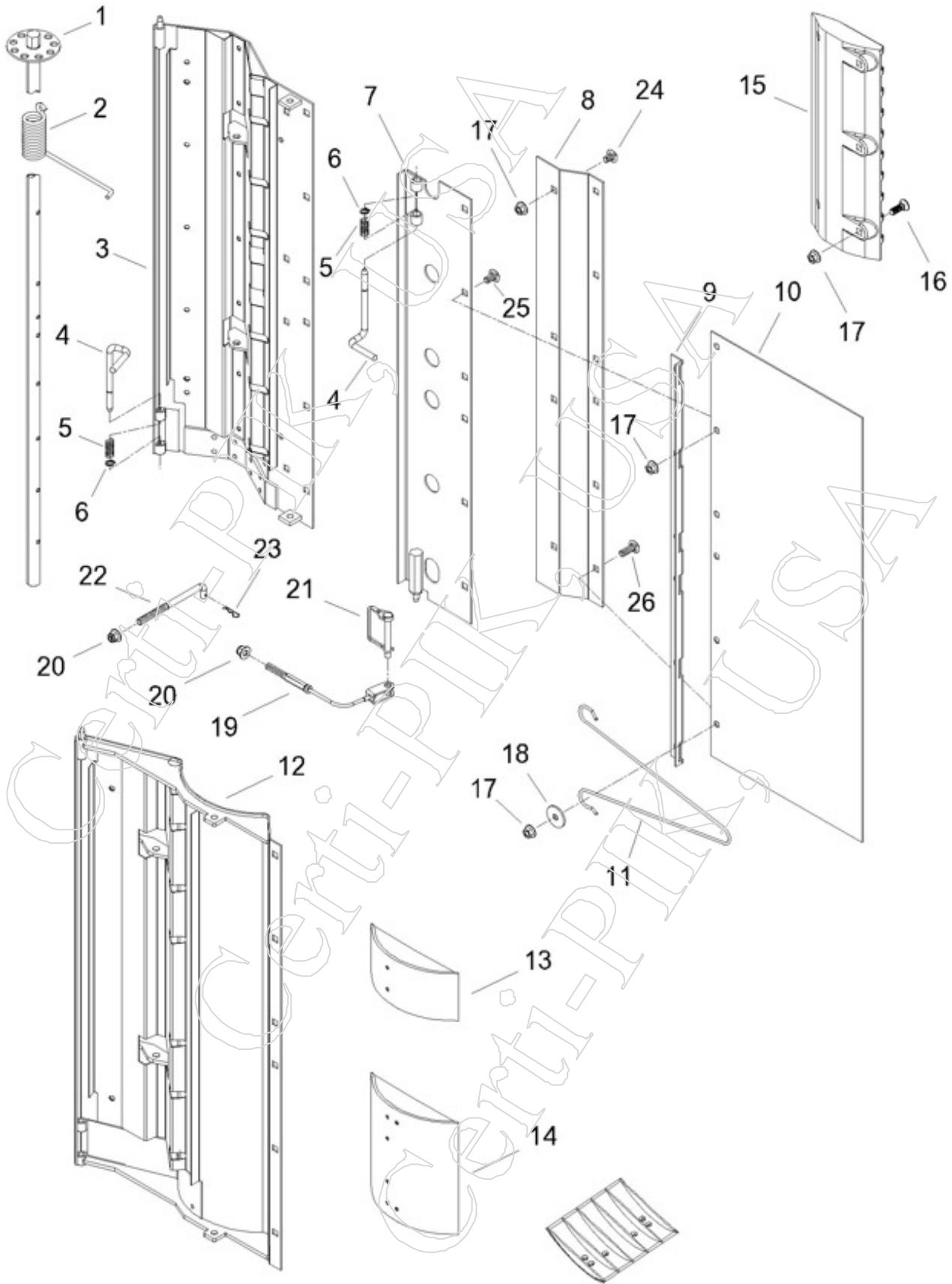


John Deere 9935, 9970-CP690 18S Pressure Plate Assembly

20-9

<u>Item</u>	<u>Part</u>	<u>OEMPart</u>	<u>Qty</u>	<u>Desc</u>
1	33504P	N33504	1	SNAP RING (9900-CP690)
2	19488P	KK19488	1	SPRING - (9900-CP690) REPLACES N33404
3.1	75113	N275113	1	PIN - PRESSURE PLATE PRO SERIES (9935, 9970-CP690)
3.2	75113K	<-----OEM	1	PIN KIT - INCLUDES: 1x #75113-PIN, 1x #19488P-SPRING, 1x #33504P-SNAP RING
4.1	76341	N276341	2	SPRING - R.H. TORSION, PRO - PRESSURE PLATE, 9935-CP690 (TOP AND BOTTOM POSITIONS)
4.2	90464	N190464	4	SPRING - R.H. TORSION, 9900-CP690- FRONT PRESSURE PLATE
5.1	74587	AN274587	1	PRESSURE PLATE - PRO-12 18S (9935-CP690)
5.2	79557	AN279557	1	PRESSURE PLATE - PRO-12 (18S)- NEW DEEP STYLE CONTOUR (9970-CP690) (ILL.)
6	74542	AN274542	1	EXTENSION - FRONT PRESSURE PLATE, PRO-12 18S (9970-CP690)
7	78127	N278127	1	EXTENSION - REAR PRESSURE PLATE, PRO-12 18S (9970-CP690)
8	78107	N278107	1	ANGLE - EXTENSION CLAMP, PRESSURE PLATE, PRO-12 18S, (AR: 5x 01519-1"-BOLT & 5x 10215P-NUT) (9970-CP690)
9	78108	N278108	1	EXTENSION - PLASTIC, PRESSURE PLATE, PRO-12 (9935-9996)- 18S (FRONT & REAR)- SUBS TO #KK10468: (7760-CP690)
10	98712	N198712	2	REINFORCEMENT - PRESSURE PLATE (9935-CP690 - IN-LINE & PRO) 2x / 18S PLATE, 3x / 20S PLATE
11.1	CTX74587F	<-----OEM	1	Single Pik - CTX ExtenDoor - JD - PRESSURE PLATE - PRO 12 18S : FRONT (9970-CP690) REPLACES OEM #AN274587 & AN279557 - (THIS DOOR USES 3x #669970 SCRAPPING PLATES)
11.2	CTX74587R	<-----OEM	1	Single Pik - CTX ExtenDoor - JD - PRESSURE PLATE - PRO 12 18S : REAR (9970-CP690) REPLACES OEM #AN274587 - (THIS DOOR USES 3x #669970 SCRAPPING PLATES)
12	669970	<-----OEM	3	CTX SCRAPPING PLATE - SOLD WITH ATTACHING HARDWARE- 2 BOLTS, & NUTS, NOT USED W/ REAR CASE
13	72970	N372970	1	10 SPINDLE SCRAPPING PLATE - FITS OEM STYLE JD DOORS - PRO SERIES - 2 / PRO-16 DOOR , 1 / PRO-12 DOOR
14	72971	N372971	2	4 SPINDLE SCRAPPING PLATE - FITS OEM STYLE JD DOORS - PRO SERIES - 2 / PRO-12 DOOR
15	07004P	09M7004	13	BOLT - M10 X 30 - PLOW - PRO SCRAPPING PLATE
16	63526P	E63526	AR	NUT - M10 - SERR HEX FLANGE
17	01730P	24H1296	4	WASHER - .410 X 1.5 X .120"
18	73753	AN273753	1	CABLE ASSEMBLY - PRO - REAR PRESSURE DOOR TENSION
19	07400P	14M7400	1	NUT - M10-1.5 - NYLON LOCK
20	31764P	AN131764	1	PIN FASTENER LOCK - PRO - REAR PRESSURE DOOR
21	76049	N276049	1	HOOK BOLT - PRO - FRONT PRESSURE DOOR TENSION
22	16931P	J16931	1	PIN - SPRING LOCK PIN
23	07190P	03M7190	4	BOLT - M10 X 20 ROUND HEAD - SQR NECK
24	07191P	03M7191	5	BOLT - M10 X 25 ROUND HEAD - SQR NECK
25	07192P	03M7192	5	BOLT - M10 X 30 ROUND HEAD - SQR NECK

John Deere 9976-CP690 PRO-16 20S Pressure Plate Assembly

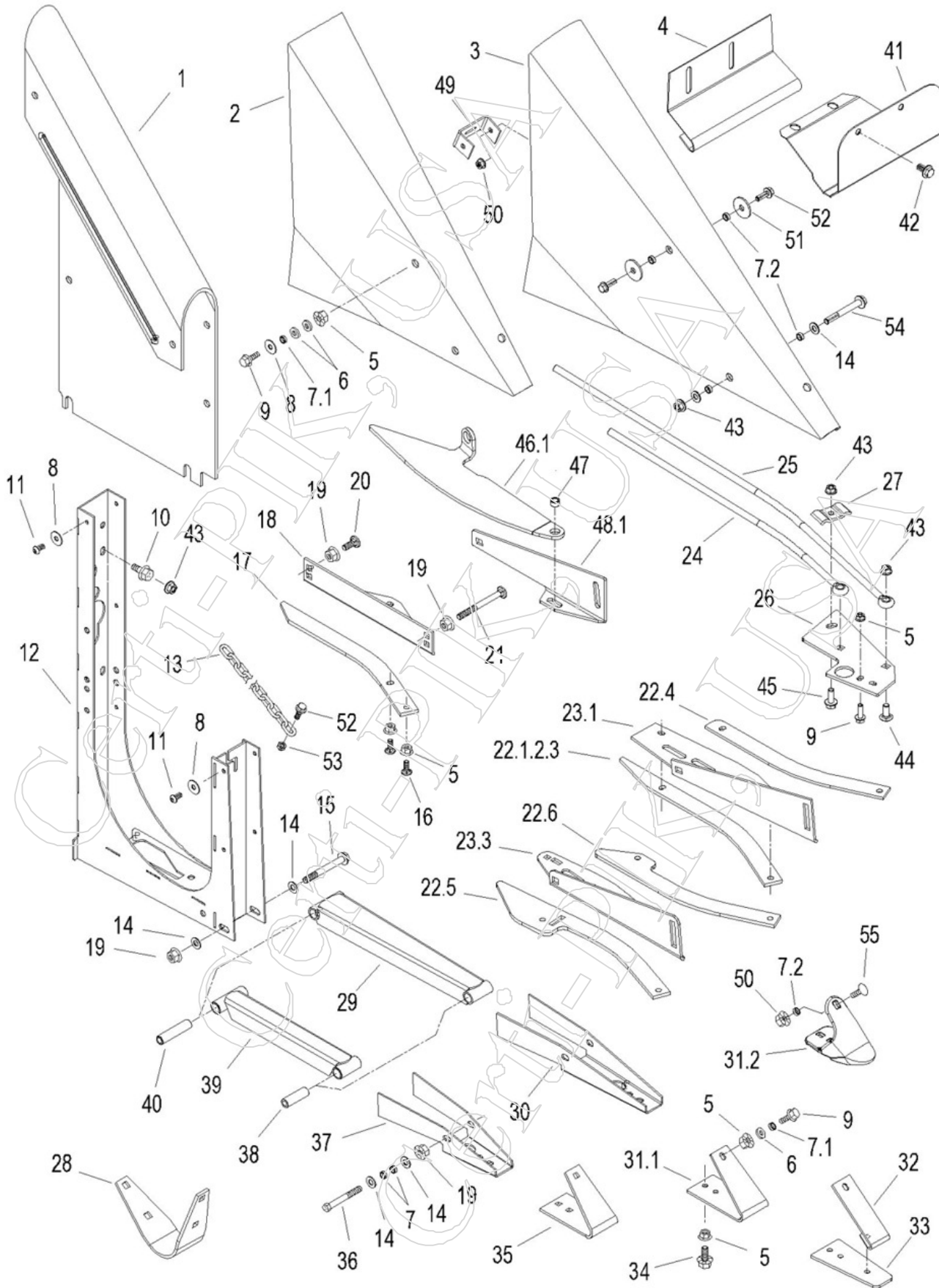


John Deere 9976-CP690 20S Pressure Plate Assembly

20-10

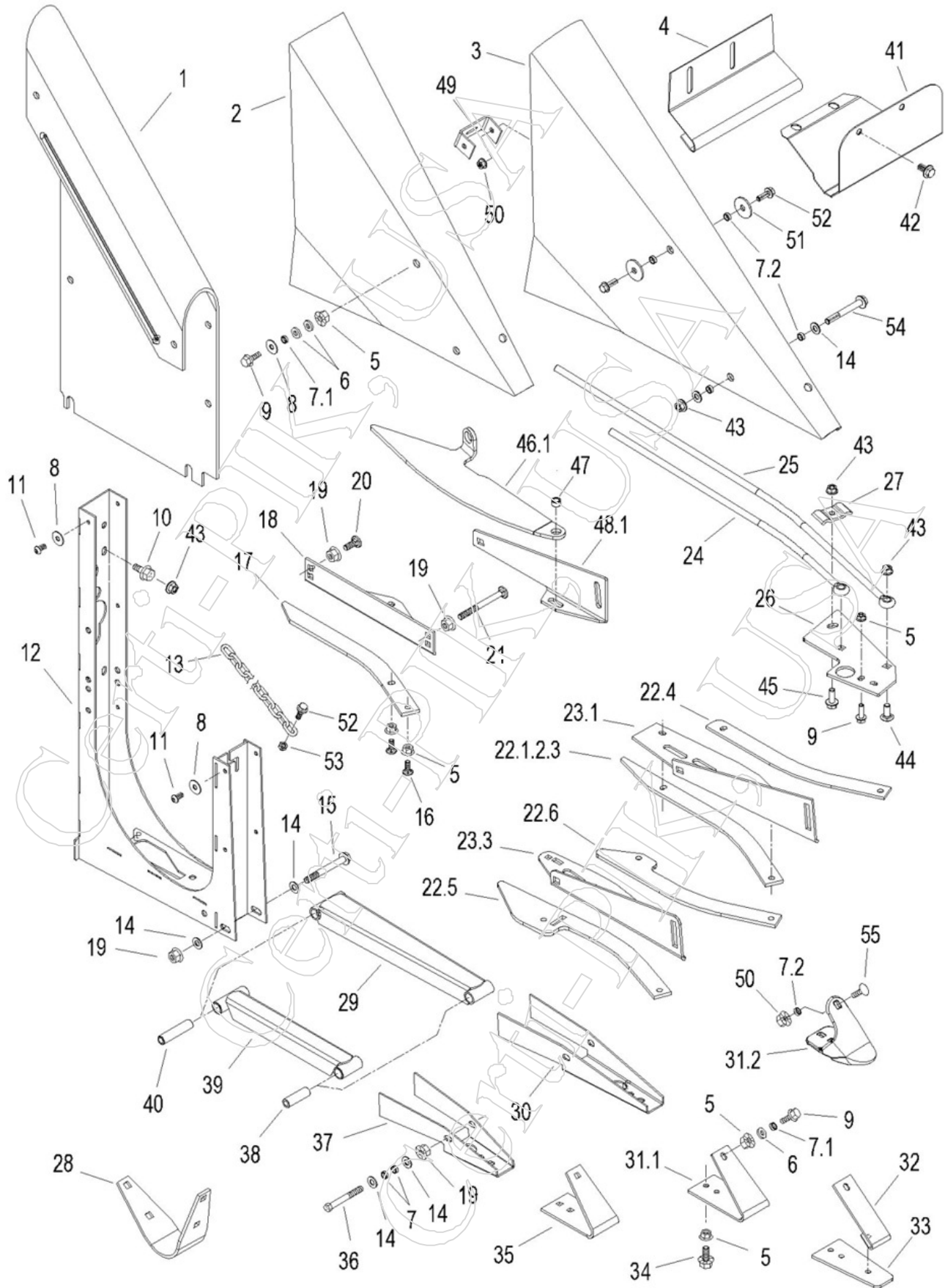
Item	Part	OEMPart	Qty	Desc
1	72903	AN272903	NA	SPRING TUBE - 20S, 9976 PRO16
2.1	76341	N276341	2	SPRING - R.H. TORSION, PRO - PRESSURE PLATE, 9935-CP690 (TOP AND BOTTOM POSITIONS)
2.2	90464	N190464	4	SPRING - R.H. TORSION, 9900-CP690- FRONT PRESSURE PLATE
3.1	74593	AN274593	1	PRESSURE PLATE - PRO-16 20S (9976-CP690)
3.2	79558	AN279558	1	PRESSURE PLATE - PRO-16 (20S)- NEW DEEP STYLE CONTOUR (9976-CP690) (ILL.)
4.1	75113	N275113	1	PIN - PRESSURE PLATE PRO SERIES (9935, 9970-CP690)
4.2	75113K	<-----OEM	1	PIN KIT - INCLUDES: 1x #75113-PIN, 1x #19488P-SPRING, 1x #33504P-SNAP RING
5	19488P	KK19488	1	SPRING - (9900-CP690) REPLACES N33404
6	33504P	N33504	1	SNAP RING (9900-CP690)
7	72944	AN272944	1	EXT. - FRONT PRESSURE PLATE, PRO-16 20S (9976-CP690)
8	74103	N274103	1	EXT. - REAR PRESSURE PLATE, PRO-16 20S (9976-CP690)
9	74102	N274102	1	ANGLE - EXTENSION CLAMP, PRESSURE PLATE, PRO-16 20S (9976-CP690) (AR: 6x 01519-1"-BOLT & 6x 10215P-NUT)
10	74104	N274104	1	EXTENSION - PLASTIC, PRESSURE PLATE, PRO-16 20S, FRONT & REAR - SUBS TO #KK10467 : (7760-CP690)
11	98712	N198712	3	REINFORCEMENT - PRESSURE PLATE (9935-CP690 - IN-LINE & PRO) 2x / 18S PLATE, 3x / 20S PLATE
12.1	CTX74593F	<-----OEM	1	Single Pik - CTX ExtenDoor - JD - PRESSURE PLATE - PRO 16 20S : FRONT (9976-CP690) & REAR (7760&CP690) - REPLACES OEM #AN274593 & AN279558 - (THIS DOOR USES 3x #669970 & 1x #669971 SCRAPPING PLATES)
12.2	CTX74593R	<-----OEM	1	Single Pik - CTX ExtenDoor - JD - PRESSURE PLATE - PRO 16 20S : REAR (9976-9996) REPLACES OEM #AN274593 - (THIS DOOR USES 3x #669970 & 1x #669971 SCRAPPING PLATES)
13	669971	<-----OEM	1	TOP (2 SPINDLE) CTX SCRAPPING PLATE - SOLD WITH ATTACHING HARDWARE - 2 BOLTS, & NUTS, (1 ON TOP OF 20 SPIN. DOOR)
14	669970	<-----OEM	1	CTX SCRAPPING PLATE - SOLD WITH ATTACHING HARDWARE- 2 BOLTS, & NUTS, NOT USED W/ REAR CASE
15	72970	N372970	2	10 SPINDLE SCRAPPING PLATE - FITS OEM STYLE JD DOORS - PRO SERIES - 2 / PRO-16 DOOR , 1 / PRO-12 DOOR
16	07004P	09M7004	10	BOLT - M10 X 30 - PLOW - PRO SCRAPPING PLATE
17	63526P	E63526	AR	NUT - M10 - SERR HEX FLANGE
18	01730P	24H1296	6	WASHER - .410 X 1.5 X .120"
19	73753	AN273753	1	CABLE ASSEMBLY - PRO - REAR PRESSURE DOOR TENSION
20	07400P	14M7400	1	NUT - M10-1.5 - NYLON LOCK
21	31764P	AN131764	1	PIN FASTENER LOCK - PRO - REAR PRESSURE DOOR
22	76049	N276049	1	HOOK BOLT - PRO - FRONT PRESSURE DOOR TENSION
23	16931P	J16931	1	PIN - SPRING LOCK PIN
24	07190P	03M7190	4	BOLT - M10 X 20 ROUND HEAD - SQR NECK
25	07191P	03M7191	6	BOLT - M10 X 25 ROUND HEAD - SQR NECK
26	07192P	03M7192	6	BOLT - M10 X 30 ROUND HEAD - SQR NECK

John Deere Stalk Lifter



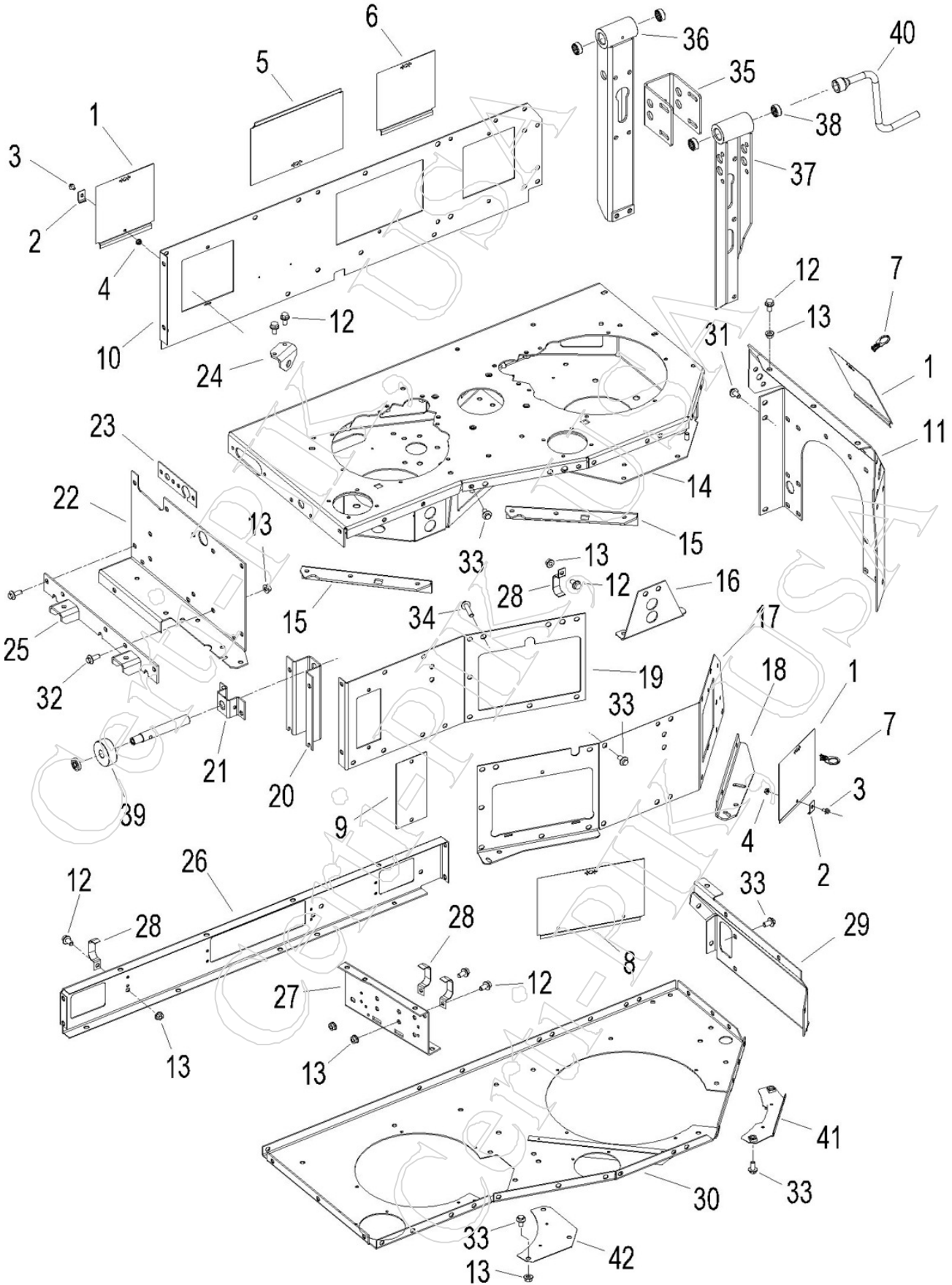
Item	Part	OEMPart	Qty	Desc
KIT	72534	BN272534	1	STALK LIFTER BUNDLE - (IN-LINE & PRO THRU CP690) INCLUDES: 2x 78882,2x 17561,1x 92708,1x 92709,1x 92710,1x 92711,4x 10213P,4x 12200P, 6x 63526P, 2x 75625P, 4x 07192P
1.1	17307	KK17307	1	SHIELD - 9935, 9960-CP690, YELLOW PLASTIC R.H. (ILL.)
1.2	17309	KK17309	1	SHIELD - 9935, 9960-CP690, YELLOW PLASTIC L.H.
2	17311	KK17311	1	SHIELD - 9960, YELLOW PLASTIC
3	17308	KK17308	1	SHIELD - 9935, 9965-CP690, YELLOW PLASTIC
4	73573	N273573	1	GUIDE - PLANT, (9935, 9960, 9965 IN-LINE)
5	10213P	N10213	AR	NUT - 5/16 - SERR HEX FLANGE
6	01292P	24H1292	AR	WASHER - .75 X .343 X .12"
7.1	81931	T81931	1	WASHER - SPACER - STALK LIFTER
7.2	71361	N371361	1	WASHER - SPACER - STALK LIFTER
8	47298P	24M7298	AR	WASHER - 1.0 X .343 X .06"
9	12200P	N112200	1	SCREW - 5/16 X 1" SERR HEX FLANGE
10	88188P	H88188	AR	SCREW - 3/8 X 1" - SER HEX FLANGE - THREAD CUTTING
11	76152P	N276152	AR	SCREW - M8 X 16mm - TORX DRIVE T40 - THREAD FORMING
12.1	72159	AN372159	1	FRAME - 9935, 9960-CP690, STALK LIFTER R.H. (ILL)
12.2	72158	AN372158	1	FRAME - 9935, 9960-CP690, STALK LIFTER L.H.
13	20137	AN120137	1	LINK CHAIN - STALK LIFTER (9900-7760)
14	01305P	24H1305	1	WASHER - .406 X .810 X .060"
15.1	01912P	19H1912	1	BOLT - 3/8 X 3-1/2" HEX HEAD - GRADE 5
15.2	07811P	19M7811	1	BOLT - M10 X 90 - SMOOTH HEX FLANGE
16	01540P	03H1540	2	BOLT - 5/16 X 3/4" CARRIAGE
17	97971	N197971	1	GUIDE - STALK GUIDE (9960 IN-LINE)
18	98064	N198064	1	ANGLE - STALK GUIDE (9960 IN-LINE)
19	10215P	N10215	1	NUT - 3/8 - SERR HEX FLANGE
20	01519P	03H1519	1	BOLT - 3/8 X 1" GRADE 5 CARRIAGE
21	01837P	03H1837	1	BOLT - 3/8 X 4" GD 5 CARRIAGE, UNITS W/ HEIGHT SENSING
22.1	73162	N273162	1	STALK GUIDE - 9965 ONLY - 3/16" THICK (ILL)
22.2	76060	N276060	1	GUIDE - JD R.H. PRO STALK GUIDE (9970-9996)- WILL FIT ON ALL PRO MACHINES R.H. SIDE, AND - L.H. SIDE: WHEN NOT USING DEEP DISH DOOR #79557𓛆
22.3	76060-XL	<-----OEM	1	GUIDE - JD R.H. PRO STALK GUIDE - EXTRA LENGTH- WILL FIT ON ALL PRO MACHINES R.H. SIDE, AND - L.H. SIDE: WHEN NOT USING DEEP DISH DOOR #79557𓛆 - 1/4" THICK (ILL)
22.4	73719	N373719	1	PLATE - JD L.H. PRO STALK GUIDE (9996) USE WITH OEM DEEP DISH DOOR: (#79557 - #79558)
22.5	79098	N379098	1	GUIDE - STALK - R.H. (ILL.) 7760-CP690 - EXTRA THICK - (WHEN USED WITH #79096: ANGLE WILL FIT MODELS 9935, 9965-CP690)
22.6	79099	N379099	1	GUIDE - STALK - L.H. 7760-CP690 - EXTRA THICK - (WHEN USED WITH #79097: ANGLE WILL FIT MODELS 9935, 9965-CP690)
23.1	72930	N372930	1	STALK LIFTER ANGLE - R.H. (ILL.) (9935, 9965, 9970-7760)
23.2	72931	N372931	1	STALK LIFTER ANGLE - L.H. (9935, 9965, 9970-9996)
23.3	79096	N379096	1	ANGLE - STALK GUIDE - R.H. (ILL.) 7760-CP690 - (WHEN USED WITH #79098: GUIDE WILL FIT MODELS 9935, 9965-CP690)
23.4	79097	N379097	1	ANGLE - STALK GUIDE - L.H. 7760-CP690 - (WHEN USED WITH #79099: GUIDE WILL FIT MODELS 9935, 9965-CP690)
24.1	92710	N192710	1	GUIDE - OUTER R.H. (SHORT) - (9920-CP690)
24.2	92711	N192711	1	GUIDE - OUTER L.H. (SHORT) - (9920-CP690)
25.1	92708	N192708	1	GUIDE - INNER R.H. (LONG) - (9920-CP690)

John Deere Stalk Lifter



<u>Item</u>	<u>Part</u>	<u>OEMPart</u>	<u>Qty</u>	<u>Desc</u>
25.2	92709	N192709	1	GUIDE - INNER L.H. (LONG) - (9920-CP690)
26	78882	N378882	1	PLATE - STALK LIFTER, (9935-CP690 IN-LINE & PRO))
27	17561	KK17561	1	CLAMP - STALK GUIDES, (9920-CP690)
28.1	91622	N191622	1	SHOE - HEIGHT SENSING, STEEL, (9910-9986 SER:18000) - (WEAR RESISTANT AND HEAT TREATED)
28.2	77420	N377420	1	SHOE - HEIGHT SENSING (9986 SER:18001 - CP690) - (WEAR RESISTANT AND HEAT TREATED)
29	75226	AN275226	1	ARM - STALK LIFTER (9935, 9965-7760)
30	99886	N199886	1	SHOE - STALK LIFTER, 9935, 9965-CP690
31.1	74920	N274920	1	POINT - GATHERER (9935, 9965-7760)
31.2	75594	N375594	1	SHOE - STALK LIFTER PRO - CAST - 9935, 9965-CP690 (REPLACES #74920)
32	72851	N272851	1	POINT - GATHERER, (9935, 9965 IN-LINE)
33	72852	N272852	1	PLATE - GATHERER, (9935, 9965 IN-LINE)
34	10212P	N10212	1	BOLT - 5/16 X 3/4" - SERR HEX FLANGE
35	97064	N197064	1	POINT - GATHERER (9960)
36	02128P	19H2128	1	BOLT - 3/8 X 3" HEX HEAD - GRADE 5
37	96204	N196204	1	SHOE - STALK LIFTER (9960)
38.1	48105	M48105	1	BUSHING - LIFTER ARM - FRONT (9935-9965 IN-LINE)
38.2	44705	A44705	1	BUSHING - FRONT, STALK LIFTER ARM (9970-CP690)
39	93395	AN193395	1	ARM - 9960, STALK LIFTER
40	99289	N199289	1	SPACER - LIFTER ARM - REAR (9935-CP690 IN-LINE & PRO)
41	75407	N275407	1	GUIDE - PLANT - PRO MACHINES
42	07784P	19M7784	1	BOLT - M10 X 20 - SERR HEX FLANGE - GD 10.9
43	63526P	E63526	1	NUT - M10 - SERR HEX FLANGE
44	07192P	03M7192	2	BOLT - M10 X 30 ROUND HEAD - SQR NECK
45	75625P	N275625	1	BOLT - M10 X 25 - SERR HEX FLANGE
46.1	74993	N374993	1	PLATE - L.H. ROW GUIDE
46.2	74994	N374994	1	PLATE - R.H. ROW GUIDE
47	15254	N15254	1	WASHER - ROW GUIDE PIVOT BUSHING
48.1	73028	N373028	1	PLATE - L.H. PIVOT
48.2	73029	N373029	1	PLATE - R.H. PIVOT
49	73580	N273580	1	BRACKET - STALK LIFTER CHAIN
50	63525P	E63525	1	NUT - M8 - SERR HEX FLANGE
51	01730P	24H1730	1	WASHER - .410 X 1.5 X .120"
52	08063P	19M8063	1	BOLT - M8 X 25 - SERR HEX FLANGE
53	07426P	14M7426	1	NUT - M8-1.25 - NYLON LOCK
54	07810P	19M7810	1	BOLT - M10 X 80 - SMOOTH HEX FLANGE
55	07186P	03M7186	1	BOLT - M8 X 30 ROUND HEAD - SQR NECK

John Deere 9976-CP690 Upper Cabinet

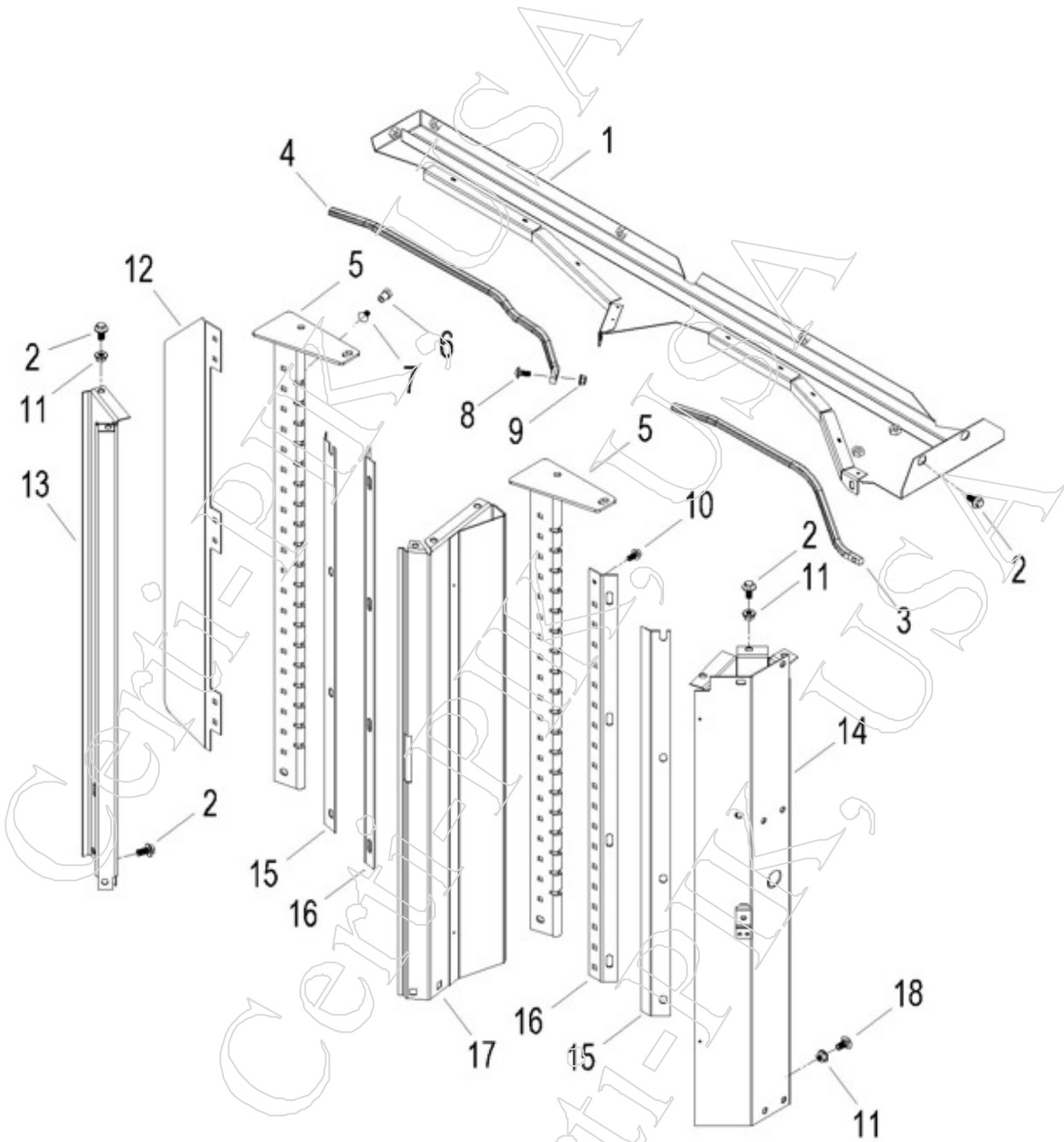


John Deere 9976-CP690 Upper Cabinet

20-13

Item	Part	OEMPart	Qty	Desc
1	76610	AN276610	3	COVER - REAR L-SIDE
2	71404	N371404	AR	CLAMP - COVER
3	07861P	19M7861	AR	BOLT - M6 X 10 - SMOOTH HEX FLANGE
4	63524P	E63524	AR	NUT - M6 - SERR HEX FLANGE
5	75038	AN275038	1	COVER - MID L-SIDE
6	75037	AN275037	1	COVER - FRONT L-SIDE
7	72520P	AN272520	AR	LOCK - DUAL LOCK FASTENER (ALL IN-LINE & PRO)
8	76611	AN276611	1	COVER - MID R-SIDE
9	75036	AN275036	1	COVER - BACK R-SIDE
10.1	72366	N272366	1	PANEL - CABINET TOP (9976,9986,9996)
10.2	14395	KK14395	1	PANEL - CABINET TOP (BALER 7760-CP690) (REPLACES # N379369) (ILL.)
11	76613	AN276613	1	HOOD - FRONT CABINET (REPLACES AN273840)
12	07784P	19M7784	AR	BOLT - M10 X 20 - SERR HEX FLANGE - GD 10.9
13	63526P	E63526	AR	NUT - M10 - SERR HEX FLANGE
14.1	73766	AN273766	1	PRO 16 CABINET TOP (9976-9996)
14.2	72907	AN372907	1	PRO 16 CABINET TOP (7760 BALER) 3-3/4" DOFFER HOUSING HOLE (ILL.)
14.3	14823	AKK14823	1	PRO 16 CABINET TOP (CP690 BALER) 4-1/2" DOFFER HSG HOLE - FINE ADJ.
15	75053	N275053	2	ANGLE - IDLER SUPPORT ON PRO CABINET TOP (9970-7760)
16	76059	N276059	1	ANGLE - LEG ON PRO CABINET TOP (9970-CP690)
17	71606	N371606	1	PANEL - FRONT R-SIDE CABINET
18	72405	N272405	1	ANGLE - FRONT R-SIDE CABINET
19	78833	N278833	1	PANEL - REAR R-SIDE CABINET
20.1	76506	N276506	1	CHANNEL - REAR CABINET (9976-7760) (ILL.)
20.2	06766	N406766	1	CHANNEL - REAR CABINET (CP690)
21	78989	N378989	1	CHANNEL - OUTER ROLLER SUPPORT
22	71797	N371797	1	PANEL - REAR CABINET (REPLACES N273349) (9976-CP690)
23	72157	N372157	1	BRACKET - OIL AND GREASE LINES
24.1	73302	N273302	2	BRACKET - SENSOR (9976-9996)
24.2	78776	N378776	2	BRACKET - SENSOR (7760-CP690)
25	74764	AN274764	1	SUPPORT - REAR CABINET
26	14109	KK14109	1	REINFORCEMENT - MID CABINET (9976-CP690) REP #N272377 & N375825
27	14112	KK14112	1	SUPPORT - MID CABINET (9976-CP690) REPLACES #N275344 & N374565
28	77119	N277119	AR	CLAMP
29	75065	N275065	1	PANEL - FRONT MID CABINET
30	76819	AN276819	1	SHEET - INNER CABINET
31	07086P	37M7086	NA	SCREW - M10 X 20 - SERR HEX FLANGE - THREAD FORMING (USE #75620P)
32	75625P	N275625	AR	BOLT - M10 X 25 - SERR HEX FLANGE
33	75620P	N275620	AR	BOLT - M10 X 20 - SERR HEX FLANGE - GD 8
34	07805P	19M7805	AR	BOLT - M10 X 45 - SMOOTH HEX FLANGE
35	71201	N371201	1	CHANNEL - HANGER ADAPTER
36	74174	AN274174	1	HANGER ASSEMBLY - L.H. - PRO
37	73170	AN273170	1	HANGER ASSEMBLY - R.H. - PRO
38	08804P	JD8804	2	BEARING - 23 NEEDLES
39	72732	N272732	1	ROLLER - REAR PRO CABINET GUIDE
40	98140	N198140	1	WRENCH - PICKING UNIT ADJUSTMENT
41	73686	AN273686	1	COVER, FRONT 16 BAR DRUM, PRO SERIES
42	75131	N275131	1	COVER, 12 BAR DRUM, PRO SERIES

John Deere 9976-CP690 Grid Bar and Cabinet Supports

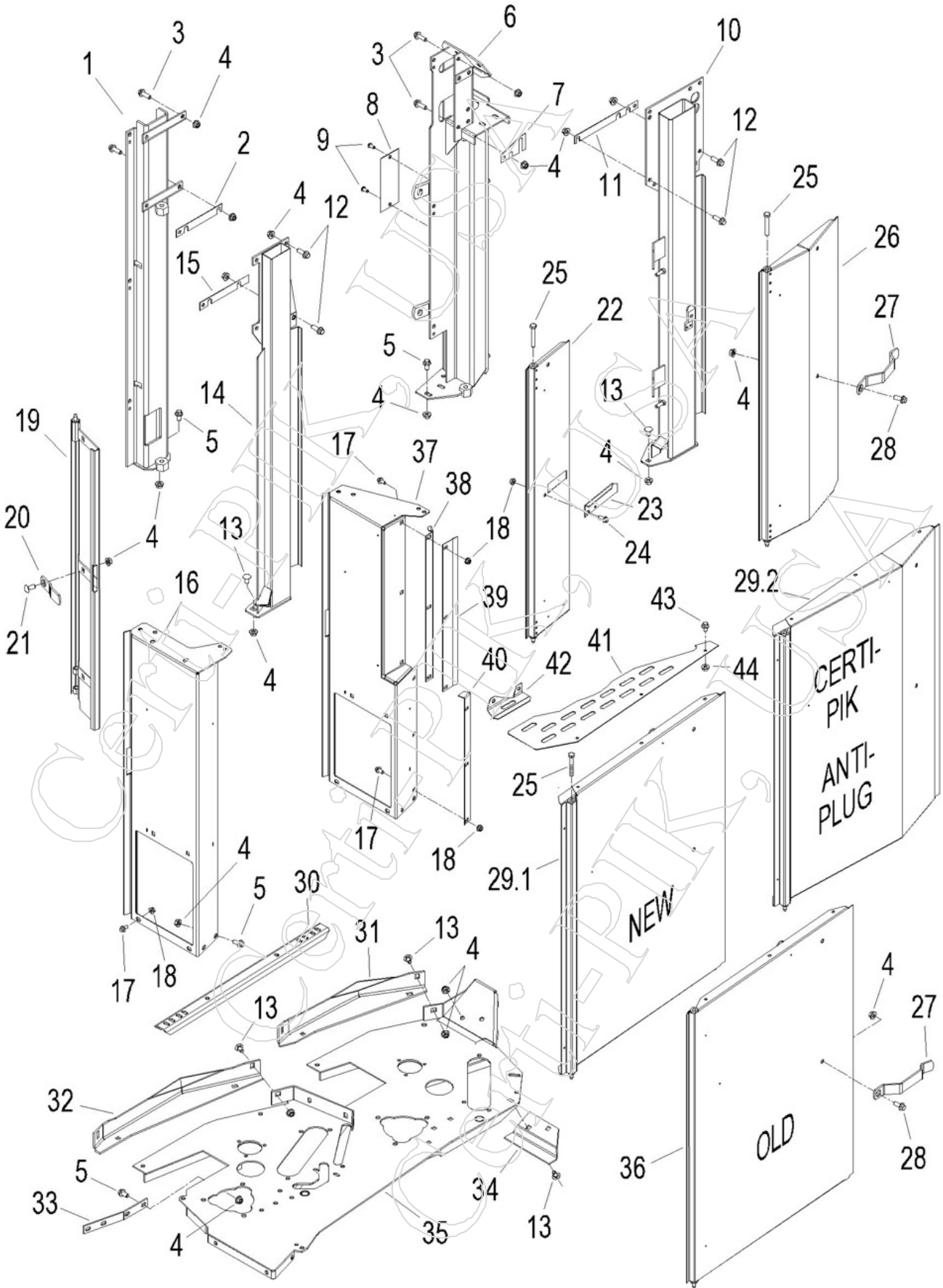


John Deere 9976-CP690 Grid Bar and Cabinet Supports

20-14

Item	Part	OEMPart	Qty	Desc
1.1	73507	AN273507	1	SHEET - THROAT (9976-9996)
1.2	72916	AN372916	1	SHEET - THROAT (7760-CP690)
2	07784P	19M7784	AR	BOLT - M10 X 20 - SERR HEX FLANGE - GD 10.9
3	77542	N277542	19	PRO GRID BAR - FRONT
4	77543	N277543	19	PRO GRID BAR - REAR
5	73413	AN273413	2	CHANNEL - REAR GRID BAR
6	74171	N274171	AR	NUT - M8 - TUBE - REAR GRID BAR
7	07183P	03M7183	AR	BOLT - M8 X 16 ROUND HEAD - SQR NECK
8	07386P	03M7386	AR	BOLT - M8 X 20 ROUND HEAD - SHORT SQR NECK
9	07298P	14M7298	AR	NUT - M8 - FLANGED TOP LOCK
10	07865P	19M7865	AR	BOLT - M8 X 16 - SMOOTH HEX FLANGE
11	63526P	E63526	AR	NUT - M10 - SERR HEX FLANGE
12	74649	N374649	1	DEFLECTOR - REAR CABINET (REPLACES N275264)
13	74148	N274148	1	PANEL - REAR CABINET
14	13132	AKK13132	1	POST - FRONT CABINET (9996, CP690, 7760)
15	73195	N373195	2	ANGLE - FRONT GRID BAR BOLT COVER
16	73193	N373193	2	ANGLE - FRONT GRID BAR HOLDER (9986, 9996, CP690, 7760)
17	72636	AN272636	1	PANEL - MID CABINET
18	07190P	03M7190	1	BOLT - M10 X 20 ROUND HEAD - SQR NECK

John Deere 9976-CP690 Lower Cabinet, Posts, and Doors

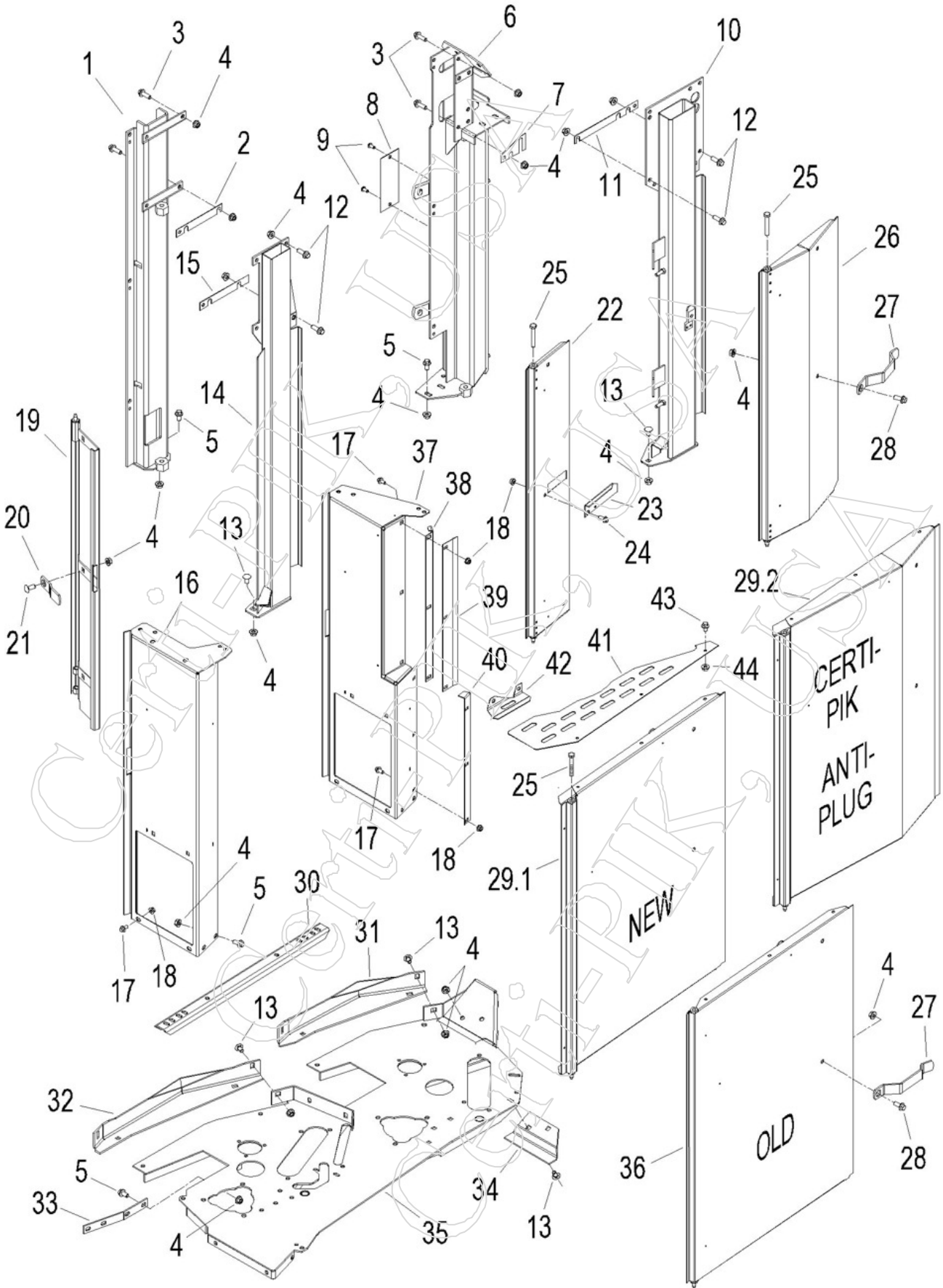


John Deere 9976-CP690 Lower Cabinet, Posts, and Doors

20-15

Item	Part	OEMPart	Qty	Desc
1.1	72593	AN272593	1	POST - LH REAR (9976, 9986, 9996)
1.2	72909	AN372909	1	POST - LH REAR (7760-CP690 BALER) (ILL.)
2	75311	N275311	AR	SHIM - .036" REAR LEFT
3	33288P	TCU33288	AR	BOLT - M10 X 30 - SERR HEX FLANGE
4	63526P	E63526	AR	NUT - M10 - SERR HEX FLANGE
5	75620P	N275620	AR	BOLT - M10 X 20 - SERR HEX FLANGE - GD 8
6.1	73135	AN273135	1	POST - LH FRONT (9976, 9986, 9996)
6.2	72910	AN372910	1	POST - LH FRONT (7760-CP690 BALER) (ILL.)
7	79649	N379649	AR	SHIM - .036" FRONT LEFT
8	80255	N380255	1	STRAP - POST COVER
9	76152P	37M7092	AR	SCREW - M8 X 16mm - TORX DRIVE T40 - THREAD FORMING
10	77142	AN277142	1	POST - FRONT RIGHT
11.1	75205	N275205	AR	SHIM - .036" FRONT RIGHT
11.2	75206	N275206	AR	SHIM - .048" FRONT RIGHT
12	07786P	19M7786	AR	BOLT - M10 X 30 - SMOOTH HEX FLANGE
13	07190P	03M7190	AR	BOLT - M10 X 20 ROUND HEAD - SQR NECK
14	78015	AN278015	1	JET POST - R.H. REAR, PRO-16 (9986-CP690)
15.1	98646	N198646	AR	SHIM - .030" REAR RIGHT
15.2	98650	N198650	AR	STRAP - .036" REAR RIGHT
15.3	98647	N198647	AR	STRAP - .048" REAR RIGHT
16	76684	AN276684	1	PRO 16 REAR CABINET SUPPORT (9976-CP690) (CPK ADDED INNER TOP HOLE TO REPLACE #AN273520 SUPPORT) (DOOR #76830 USES OUTER HOLE ON #76684 SUPPORT & #73565 CAB. BOTTOM) (DOOR #72628 USES INNER HOLES)
17	07183P	03M7183	AR	BOLT - M8 X 16 ROUND HEAD - SQR NECK
18	63525P	E63525	AR	NUT - M8 - SERR HEX FLANGE
19	73000	AN273000	1	DOOR - REAR INSPECTION
20	98287	N198287	1	HANDLE - REAR INSPECTION DOOR
21	07191P	03M7191	AR	BOLT - M10 X 25 ROUND HEAD - SQR NECK
22	73516	AN273516	1	DOOR - INNER INSPECTION
23	77149	N277149	1	HANDLE - INNER INSPECTION DOOR
24	75980P	N275980	AR	BOLT - M8 X 20 - SERR HEX FLANGE
25	07742P	19M7742	AR	BOLT - M10 X 65 - HEX
26	73515	AN273515	1	PRO 16 FRONT SERVICE DOOR (9976-CP690)
27	78463	N378463	1	HANDLE - OUTER SERVICE DOORS (REPLACES N276090 & N272051)
28	75625P	N275625	AR	BOLT - M10 X 25 - SERR HEX FLANGE
29.1	76830	AN276830	1	PRO 16 REAR SERVICE DOOR (9976-CP690) USE W/ #16: SUPPORT #76684 (USE OUTER PIVOT HOLE)
29.2	CPK76830	<-----OEM	1	PRO 16 REAR SERVICE DOOR (9976-CP690) USE W/ #16: SUPPORT #76684 (USE OUTER PIVOT HOLE) - ANTI-PLUG DOOR - FORMED OUT TO INCREASE AIR FLOW FROM FRONT DRUM * WILL NOT FIT ON 30 INCH ROWS *
30	72430	N272430	1	CHANNEL - BOTTOM LEFT CABINET
31	70149	N370149	1	ANGLE - FRONT GUIDE
32	70150	N370150	1	ANGLE - REAR GUIDE
33	74243	N274243	1	ANGLE - REAR CABINET
34	75243	N275243	1	ANGLE - FRONT CABINET PLATE
35	73565	AN373565	1	FRAME - BOTTOM CABINET
36	72628	AN272628	1	PRO 16 REAR SERVICE DOOR (9976) USE W/ #16: SUPPORT #76684 (USE INNER PIVOT HOLE)

John Deere 9976-CP690 Lower Cabinet, Posts, and Doors

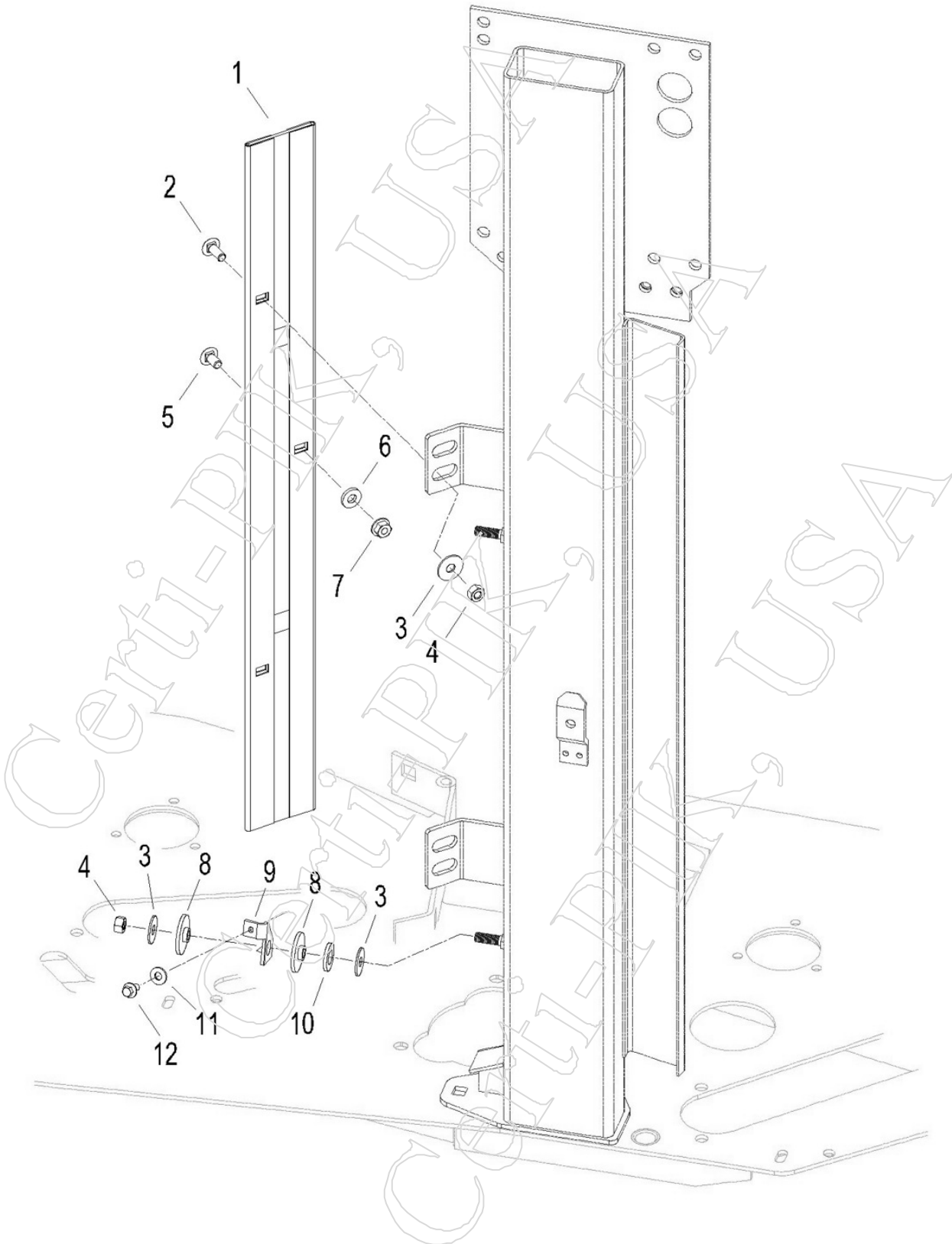


John Deere 9976-CP690 Lower Cabinet, Posts, and Doors

20-15

<u>Item</u>	<u>Part</u>	<u>OEMPart</u>	<u>Qty</u>	<u>Desc</u>
37	76383	AN276383	1	SUPPORT - REAR CABINET PANEL - 36" - NOTCHED
38	72228	N372228	1	ANGLE - TOP INNER - USED WITH CABINET SUPPORT # 76383 - 36"
39	72227	N372227	1	ANGLE - TOP OUTER - USED WITH CABINET SUPPORT # 76383 - 36"
40	72229	N372229	1	ANGLE - BOTTOM - USED WITH CABINET SUPPORT # 76383 - 36"
41	27135	KK27135	1	COVER - CABINET - PRO-16 (ATTACHES TO TOP OF DOOR #CPK76830, # 76830, OR # 72628 WITH 3x 07861P SCREWS & 3x 63524P NUTS) (SUPPORTED BY #78863)
42	78863	N278863	1	COVER - BRACKET - PRO-12&16 (SUPPORTS #27135)
43	07861P	19M7861	3	BOLT - M6 X 10 - SMOOTH HEX FLANGE
44	63524P	E63524	3	NUT - M6 - SERR HEX FLANGE

John Deere 9935, 9965-CP690 Doffer Plug Sensor



John Deere 9935, 9965-CP690 Doffer Plug Sensor

20-16

<u>Item</u>	<u>Part</u>	<u>OEMPart</u>	<u>Qty</u>	<u>Desc</u>
1.1	72510	AN272510	1	FLAP - DOFFER PLUG SENSOR (18-SPINDLE)
1.2	73420	AN273420	1	FLAP - DOFFER PLUG SENSOR (20-SPINDLE) (ILL.)
2	07184P	03M7184	1	BOLT - M8 X 20 ROUND HEAD - SHORT SQR NECK
3	47298P	24H7298	1	WASHER - 1.0 X .343 X .06"
4	64256P	E64256P	1	NUT - M8 - TOP LOCK
5	07183P	03M7183	1	BOLT - M8 X 16 ROUND HEAD - SQR NECK
6	01292P	24H1292	1	WASHER - .75 X .343 X .12"
7	63525P	E63525	1	NUT - M8 - SERR HEX FLANGE
8	77510	N377510	1	WASHER - NON-METALIC - SHOULDER
9	73085	N273085	1	ELECTRICAL CONNECTOR TERMINAL
10	01625P	24H1625	1	WASHER - 17/32 X 1 X .120
11	01287P	24H1287	1	WASHER - 9/32 X 5/8 X .065"
12	07089P	37M7089	1	SCREW - M6 X 12 - SMOOTH HEX FLANGE - THREAD CUTTING